

# Button Switch $\Phi 22$

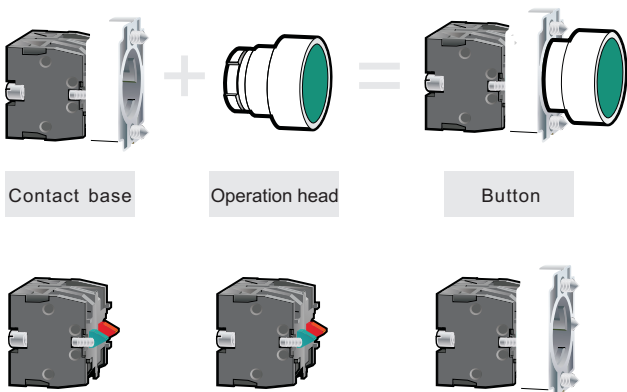
Quality as the root · Service as the base



## YJ139-XB2 Series Button Switch

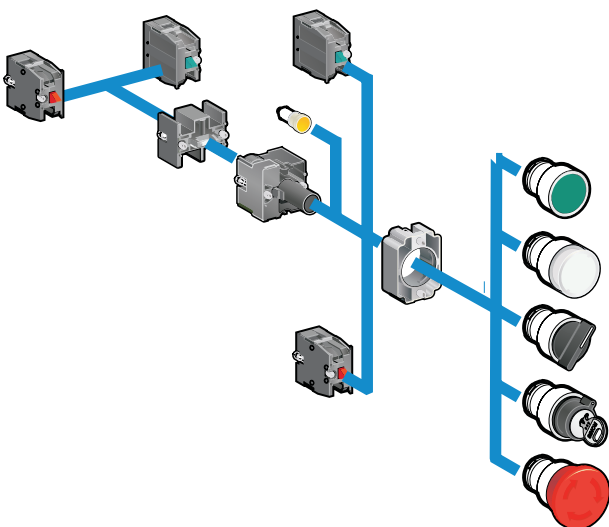


### STRUCTURAL DRAWING



Connection of switch contacts: up to 6 pairs of contact modules

### COMPOSITE GRAPH



### GENERAL

1. The shell of the operation part of this series of products is made of zinc alloy metal, and the connection with the middle seat is fixed by screws. It is impact resistant, drop resistant and vibration resistant, and is suitable for use in various harsh environments.
2. The contact is a self-cleaning flat pressing slow action structure; It can ensure the power on sensitivity and operation life of high frequency operation, and can meet the requirements of a variety of specific control circuits.
3. Installation dimensions:  $\Phi 22$ mm.
4. Function: momentary, maintained, illuminated button, selector switch, key-lock selector switch, emergency, mushroom, double-key button, cross switch.
5. Contact combination: 1NO/1NC, contacts can be combined as required.
6. IP degree: IP40; Some products can be customized to IP65.

### SPECIFICATION

Operating temperature	-25°C~+55°C(Ice free)	
Operating humidity	45~85%RH	
Contact resistance	$\leq 50$ m $\Omega$	
Insulation resistance	$\geq 100$ M $\Omega$	
Dielectric strength	1890VAC/50Hz/60s	
Vibration resistance	50Hz, Amplitude 1.0mm	
Shock resistance	$> 10$ g	
Mechanical life	momentary	$\geq 2,000,000$ times
	maintained, selector switch	$\geq 1,000,000$ times
	key-lock selector switch, emergency	$\geq 500,000$ times
Electrical life	$\geq 200,000$ times	

### SWITCH RATING

Rated insulation voltage(Ui)		440V					
Thermal current(Ith)		10A					
Rated voltage(Ue)		24V	48V	110V	220V	380V	
Rated current (Ie)	AC-15 50/60Hz	Resistive load	10A	-	10A	10A	-
		Inductive load	10A	-	6A	3A	2A
	DC-13	Resistive load	8A	4A	2.2A	1.1A	-
		Inductive load	6A	2A	1.2A	0.6A	-
Contact Material		Silver alloy					

Minimum adaptive load: 3V AC/DC 5mA (reference value) (The scope of usage depends on the usage environment and load type)

### LAMP SPECIFICATIONS

Lamp type	Two-way LED lamp		
Rated voltage	AC/DC 6V	AC/DC 12V	AC/DC 24V
	AC/DC 36V	AC/DC 48V	AC/DC 110V
	AC/DC 220V	AC/DC 380V	
	AC 110V	AC 220V	AC 380V
Lamp color	R ● G ● Y ● B ● W ○		
Life	$\geq 40000$ h		

# Button Switch $\Phi 22$

Quality as the root · Service as the base



## YJ139-XB2 Series Button Switch

### CONTACT DESCRIPTION OF SWITCH BASE

The number on the contact base:

● "1, 2" refers to two terminals of the NC contact, "3, 4" refers to two terminals of the NO contact.

Contact code	10	01	11	20	02
Contact name	1NO	1NC	1NO1NC	2NO	2NC
State diagram					

### WORKING POSITION AND CORRESPONDING CONTACT STATE OF SELECTOR SWITCH

① Opening and closing state diagram of two positions and corresponding contacts

② Opening and closing state diagram of three positions and corresponding contacts

S/N	Model	2 position maintained	
1	YJ139-XB2-10■/2		
2	YJ139-XB2-01■/2		
3	YJ139-XB2-11■/2		
4	YJ139-XB2-20■/2		
5	YJ139-XB2-02■/2		
6	YJ139-XB2-22■/2		
7	YJ139-XB2-31■/2		
8	YJ139-XB2-13■/2		
9	YJ139-XB2-40■/2		
10	YJ139-XB2-04■/2		

S/N	Model	3 position maintained		
1	YJ139-XB2-11■/3			
2	YJ139-XB2-20■/3			
3	YJ139-XB2-02■/3			
4	YJ139-XB2-22■/3			
5	YJ139-XB2-31■/3			
6	YJ139-XB2-13■/3			
7	YJ139-XB2-40■/3			
8	YJ139-XB2-04■/3			

### IMPLICATION OF TYPE


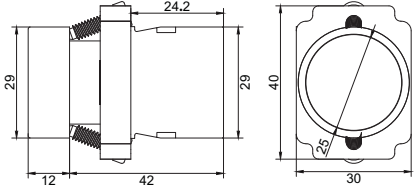
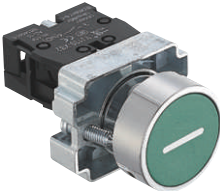
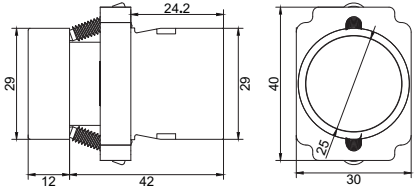
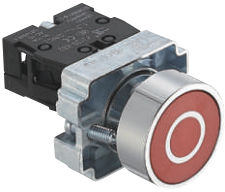
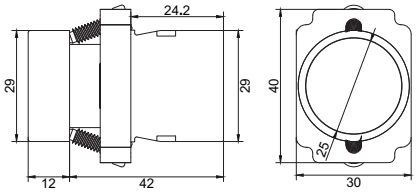
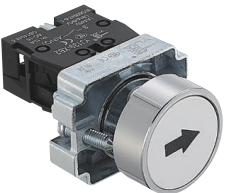
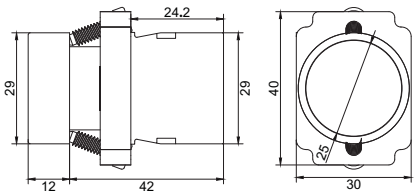
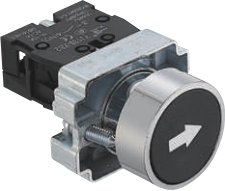
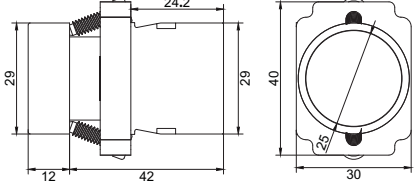
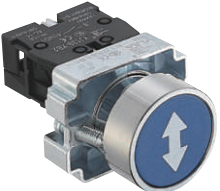
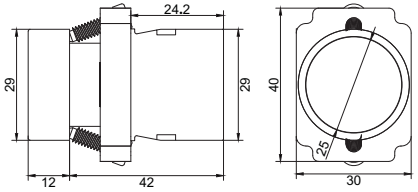
YJ139-XB2-	○	■/	□	▲	△	○
Code of series	Contact:	Operating type:	Work position of selector switch:	Special requirements function:	Lamp voltage:	Color:
	10: 1NO 01: 1NC 11: 1NO1NC 20: 2NO 02: 2NC 03: 3NC 22: 2NO2NC 40: 4NO 04: 4NC  NO and NC contacts can be combined as required	BN: flat momentary BNZS: flat maintained DN: flat illuminated momentary DNZS: flat illuminated maintained M: mushroom momentary MZS: mushroom maintained ZS: emergency X: selector switch XB: long handle selector switch Y: key-lock selector switch B: double-key button D: illuminated double-key button PA22: two position momentary cross switch PA21: two position maintained cross switch	21: 2 position maintained 22: 2 position momentary 31: 3 position maintained 33: 3 position momentary	No letters: convention F: waterproof, IP65 31: start symbol 32: stop symbol 34: black arrow symbol 35: white arrow symbol 35: double arrow symbol	AC/DC 3V AC/DC 6V AC/DC 12V AC/DC 24V AC/DC 36V AC/DC 48V AC/DC 110V AC/DC 220V AC/DC 380V AC 110V AC 220V AC 380V	■R ■G ■Y ■B □W ■BL

Note: the above table is only for model explanation, and some model combinations have no actual products. See the following figure for specific products.

# Button Switch $\Phi 22$

## YJ139-XB2 Series Button Switch

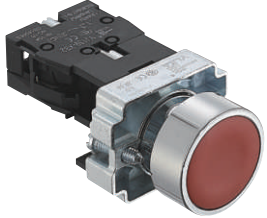
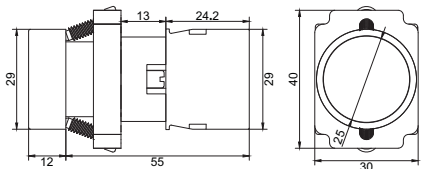
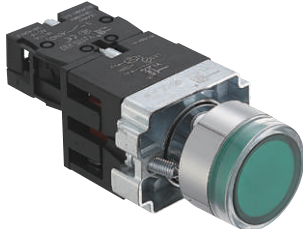
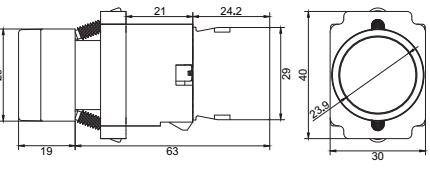
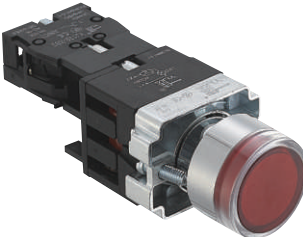
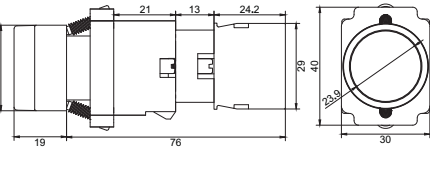
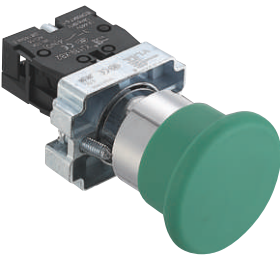
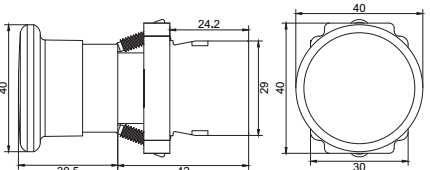
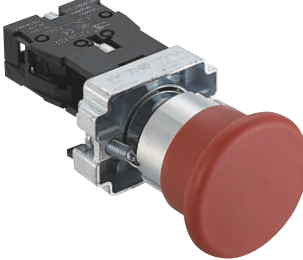
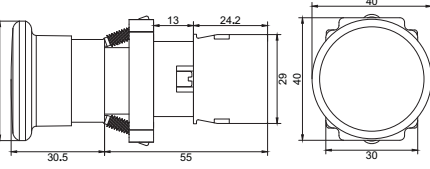
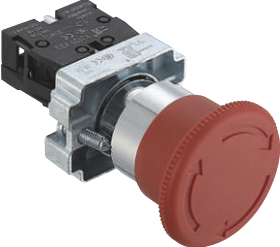
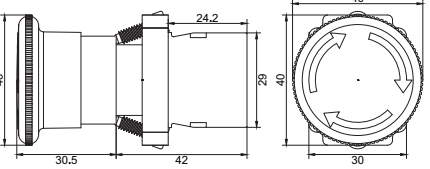
PRODUCT SELECTION (The following models are conventional models. Please consult other models for special requirements)

Picture	Operation	Model	Shape Dimensions
	Flat momentary	YJ139-XB2-10BN○	The default IP degree is IP40, and IP65 can be customized. 
		YJ139-XB2-01BN○	
	Start symbol flat momentary	YJ139-XB2-10BN/31	The default IP degree is IP40, and IP65 can be customized. 
	Stop symbol flat momentary	YJ139-XB2-01BN/32	The default IP degree is IP40, and IP65 can be customized. 
	Black arrow symbol flat momentary	YJ139-XB2-10BN/34	The default IP degree is IP40, and IP65 can be customized. 
	White arrow symbol flat momentary	YJ139-XB2-10BN/35	The default IP degree is IP40, and IP65 can be customized. 
	Double arrow symbol flat momentary	YJ139-XB2-10BN/36	The default IP degree is IP40, and IP65 can be customized. 

# Button Switch $\Phi 22$

## YJ139-XB2 Series Button Switch

PRODUCT SELECTION (The following models are conventional models. Please consult other models for special requirements)

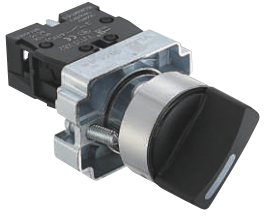
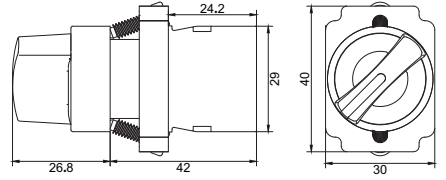
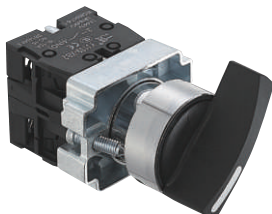
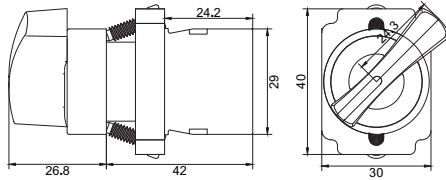
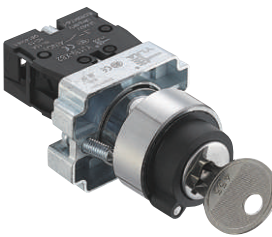
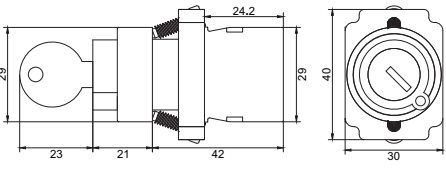
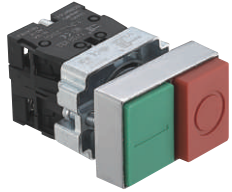
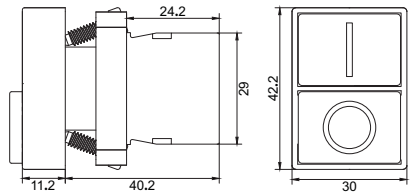
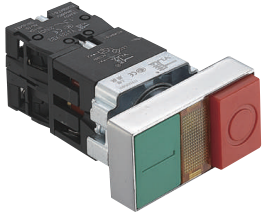
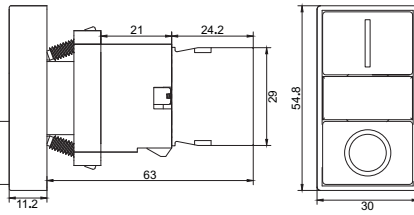
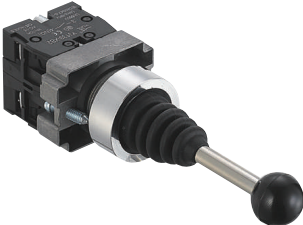
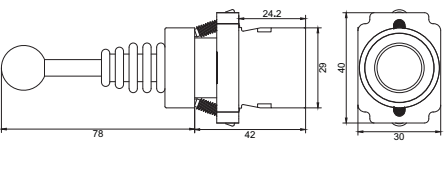
Picture	Operation	Model	Shape Dimensions
	Flat maintained	YJ139-XB2-10BNZS○	The default IP degree is IP40, and IP65 can be customized. 
		YJ139-XB2-01BNZS○	
	Flat illuminated momentary	YJ139-XB2-10DN△○	The default IP degree is IP40, and IP65 can be customized. 
		YJ139-XB2-01DN△○	
	Flat illuminated maintained	YJ139-XB2-10DNZS△○	The default IP degree is IP40, and IP65 can be customized. 
		YJ139-XB2-01DNZS△○	
	Mushroom momentary	YJ139-XB2-10M○	Selective Color○: <b>R G Y</b> 
		YJ139-XB2-01M○	
	Mushroom maintained	YJ139-XB2-10MZS○	Selective Color○: <b>R G Y</b> 
		YJ139-XB2-01MZS○	
	Emergency	YJ139-XB2-01ZS	Selective Color○: <b>R G</b> 
		YJ139-XB2-02ZS	



# Button Switch $\Phi 22$

## YJ139-XB2 Series Button Switch

PRODUCT SELECTION (The following models are conventional models. Please consult other models for special requirements)

Picture	Operation	Model	Shape Dimensions
	2 position maintained selector switch	YJ139-XB2-10X/21	<p>1.The default IP degree is IP40, and IP65 can be customized. 2.Default black,selective Color○: <b>R G</b></p> 
	2 position momentary selector switch	YJ139-XB2-10X/22	
	3 position maintained selector switch	YJ139-XB2-20X/31	
	3 position momentary selector switch	YJ139-XB2-20X/33	
	Long handle 2 position maintained selector switch	YJ139-XB2-10XB/21	<p>1.The default IP degree is IP40, and IP65 can be customized. 2.Default black,selective Color○: <b>R G</b></p> 
	Long handle 2 position momentary selector switch	YJ139-XB2-10XB/22	
	Long handle 3 position maintained selector switch	YJ139-XB2-20XB/31	
	Long handle 3 position momentary selector switch	YJ139-XB2-20XB/33	
	2 position maintained key-lock selector switch	YJ139-XB2-10Y/21	
	2 position momentary key-lock selector switch	YJ139-XB2-10Y/22	
	3 position maintained key-lock selector switch	YJ139-XB2-20Y/31	
	3 position momentary key-lock selector switch	YJ139-XB2-20Y/33	
	Double-key momentary	YJ139-XB2-11B	
	Double-key illuminated momentary	YJ139-XB2-11D $\Delta$	
	2 position momentary cross switch	YJ139-XB2-PA22	
	2 position maintained cross switch	YJ139-XB2-PA21	