

# Metal ButtonΦ30

## YJ-GQ30B Series Metal Button

### GENERAL

1. Installation dimensions: Φ30mm.
2. Head shape: flat round.
3. Wiring mode: pin terminal.
4. Operation: momentary, maintained.
5. Contact: 1NO1NC/2NO2NC.
6. IP Degree: IP65
7. The material of Keypad: stainless steel, aluminum alloy.
8. The material of shell: stainless steel, aluminum alloy plating.
9. The material of base: PA66.

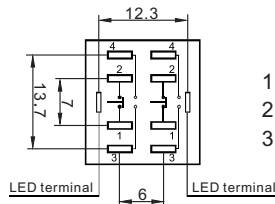
### LAMP SPECIFICATIONS

Lamp type	Two-way LED lamp	
Rated voltage	AC/DC 3V	AC/DC 6V
	AC/DC 12V	AC/DC 24V
	AC/DC 36V	AC/DC 48V
	AC/DC 110V	AC/DC 220V
Lamp color	R ● G ● Y ● B ● W ○	
Life	≥40000h	

### SWITCH RATING

Rated voltage(Ue)		12V	24V	110V	220V	
Rated current (Ie)	AC-15 50/60Hz	Resistive load	5A	5A	5A	3A
		Inductive load	5A	5A	3A	2A
	DC-13	Resistive load	5A	5A	1A	0.5A
		Inductive load	2A	2A	0.2A	0.1A

### CONTACT DESCRIPTION



1. Terminal size: 2.8×0.5.
2. 1, 2, 3 and 4 are a set of switches; 1, 2 are NC contact, 3, 4 are NO contact.
3. The LED have no difference of anode and cathode.

### SPECIFICATION

Operating temperature	-25°C~ +55°C (Ice free)
Operating humidity	45-85%RH
Contact resistance	≤50mΩ
Insulation resistance	≥1000MΩ
Dielectric strength	1500VAC/50Hz/60s
Vibration resistance	50Hz, Amplitude 1.2mm
Shock resistance	> 10g
Solder heat resistance	when 320°C (or 30W electric iron), no more than 3 seconds
Switch rating	250V/5A
Mechanical life	≥1,000,000times
Electrical life	≥100,000times

### CONTACT DESCRIPTION

TYPE	1NO1NC
Diagram	
Sign	
Note	Double break-points with four terminals quick changeover contact switch

### IMPLICATION OF TYPE






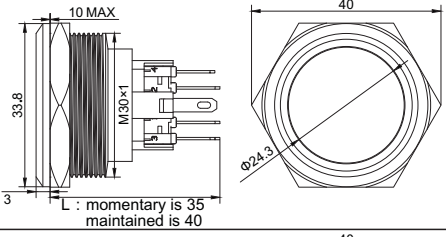

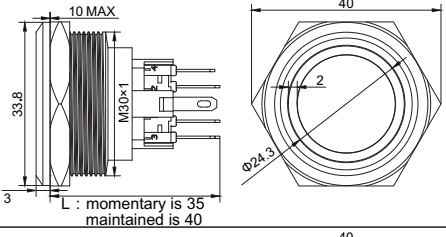

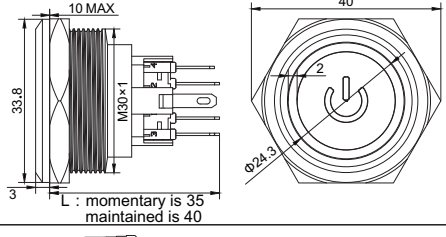
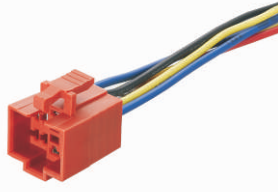
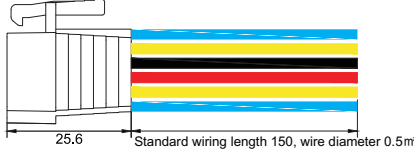
YJ-GQ30B	★	-⊖	▲/	☆	△	○
Code of series	Head shape: F: flat round	Contact: 11: 1NO1NC 22: 2NO2NC	Operation: No letters : momentary Z: maintained E: momentary with ring lamp EZ: maintained with ring lamp EP: momentary with ring lamp and luminous power logo EZP: maintained with ring lamp and luminous power logo	Shell material: S: stainless steel A: aluminum alloy plating	Lamp voltage: 3V 6V 12V 24V 36V 48V 110V 220V	Color: R G Y B W

Note: the above table is only for model explanation, and some model combinations have no actual products. See the following figure for specific products.

# Metal Button $\Phi 30$

## YJ-GQ30B Series Metal Button

### PRODUCT SELECTION

 Contact 11:1NO1NC ; 22:2NO2NC	 shell material S: Stainless steel / A: Aluminum alloy plating	 LED voltage 1.8V, 3V, 6V, 12V, 24V 36V, 48V, 110V, 220V	 LED color <b>R</b> <b>G</b> <b>Y</b> <b>B</b> <b>W</b>
Picture	Operation	Model	Shape Dimensions
	Flat, momentary	YJ-GQ30BF- $\odot$ / $\star$	
	Flat, maintained	YJ-GQ30BF- $\odot$ Z/ $\star$	
	Flat, momentary ring lamp	YJ-GQ30BF- $\odot$ E/ $\star$ $\triangle$ $\circ$	
	Flat, maintained ring lamp	YJ-GQ30BF- $\odot$ EZ/ $\star$ $\triangle$ $\circ$	
	Flat, momentary ring lamp with luminous power logo	YJ-GQ30BF- $\odot$ EP/ $\star$ $\triangle$ $\circ$	
	Flat, maintained ring lamp with luminous power logo	YJ-GQ30BF- $\odot$ EZP/ $\star$ $\triangle$ $\circ$	
	Matching no light and 1NO1NC button : 4 lines Matching no light and 2NO2NC button : 8 lines Matching illuminated and 1NO1NC button : 6 lines Matching illuminated and 2NO2NC button : 10 lines		 <p>Standard wiring length 150, wire diameter 0.5mm<sup>2</sup></p> <p>Note: the red and black lines are LED lines, the blue line is NO, and the yellow line is NC. You can consult the customized line length.</p>

### COMBINATION DIAGRAM OF BUTTON AND SOCKET

